

DirectDrive small:DDs9426-HS Brushless DD Motor

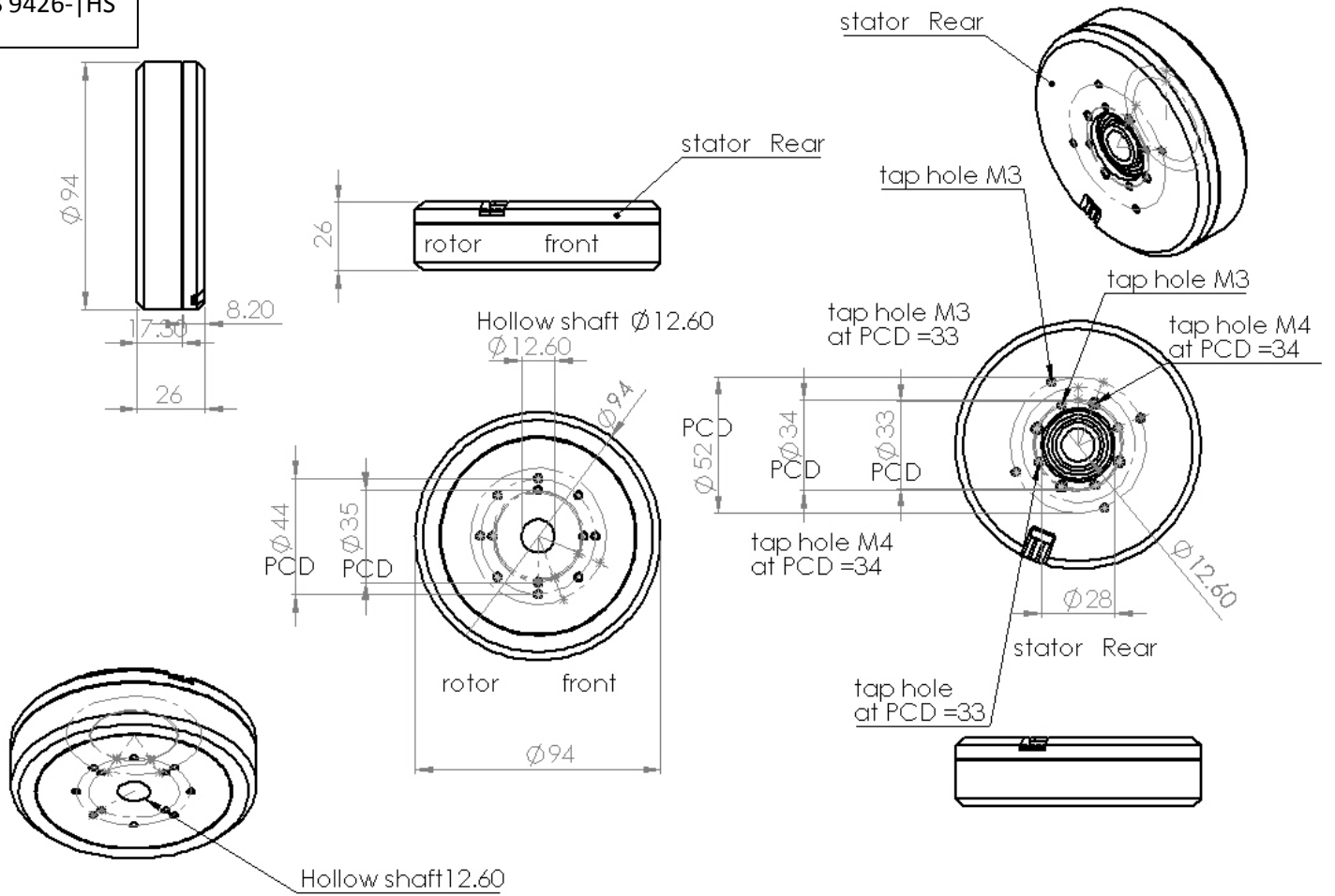
Features: 3 Phase Outer Rotor Brushless Motor

- Low Speed, Large Torque
- Sealed Casing, Dust- proof design
- High Precision and High Performance
- Safe and Reliable, Running Smoothly
- Lightweight, Energy Saving
- Low Noise, Long Life

Specifications:

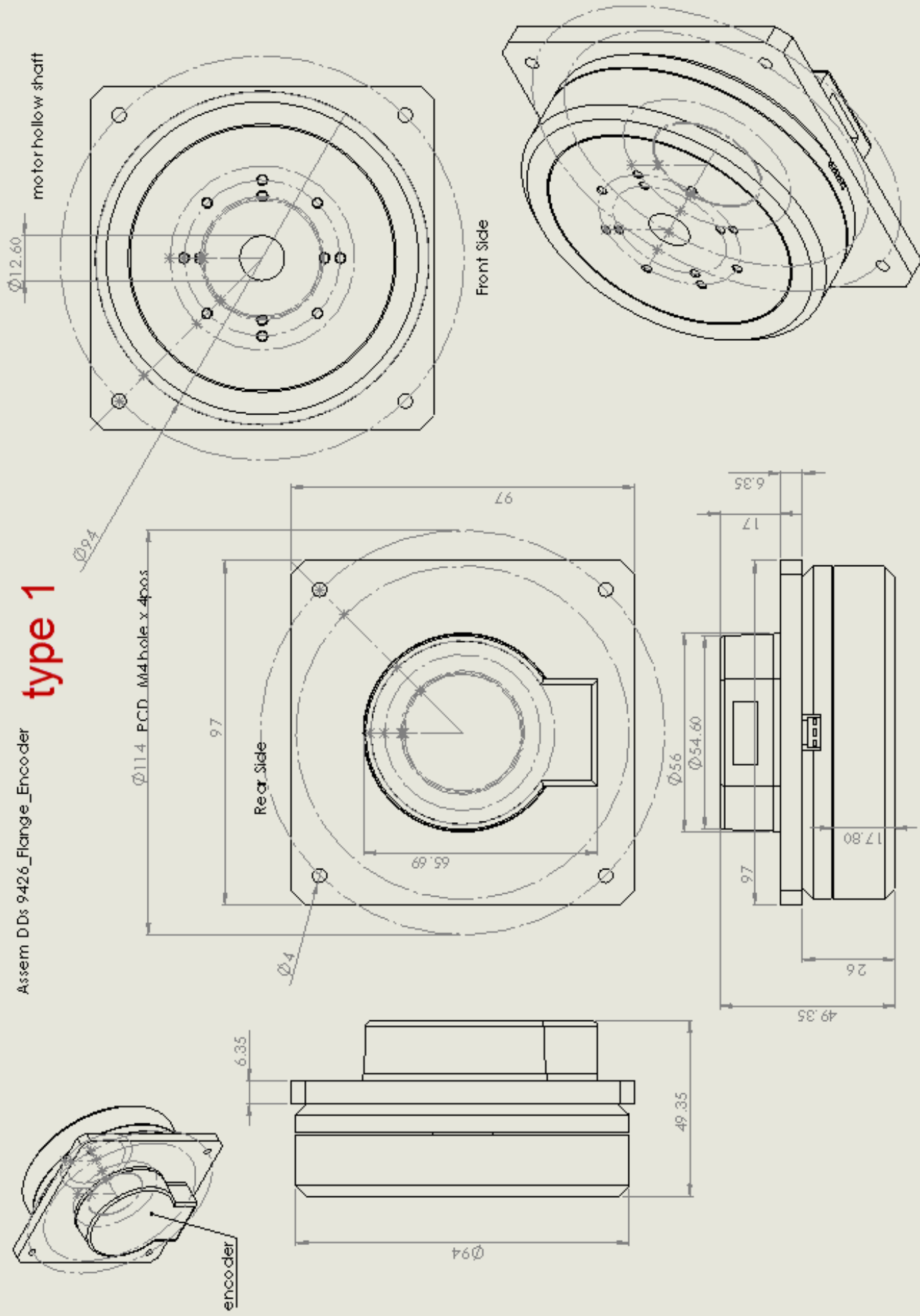
Item No.	DDs 9426-HS		
Motor Type	Brushless DC/ Outer rotor/ No sensor		
Weight (g)	480		
Motor Dimension (DxL)(mm)	94x26		
Diameter of Shaft (mm) Hollow	12.6		
Configuration	36N42P		
Phase	3		
Number of pole pairs	21		
Winding Type	WYE		
Resistance (Ri) (Ohm)	13.4		
Recommended Voltage (V)	14.8- 48V	; Max. nominal Voltage (V)	60 V
KV (RPM/V)	55		
No Load Current (A)	0.14		
Stall Current (A)	6.8A	; Peak current	38A
Operating Temperature Range	-40 to +150 degree Celsius		
TorqueN.m	1.80 N.m		
Peak Torque	4.4 Nm.		
Inductance (mH)	29 mH		
Max. speed@48V	2640 rpm		
Max. Speed @60V	3300 rpm		

DDS 9426-|HS



Assem DDs 9426_Flange_Encoder

type 1



Assem DDs 9426_Flange_Encoder